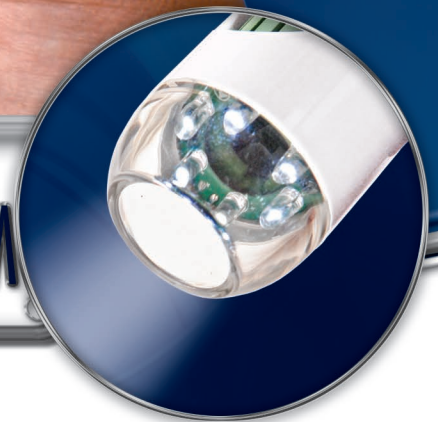




NEW PRODUCT INFORMATION



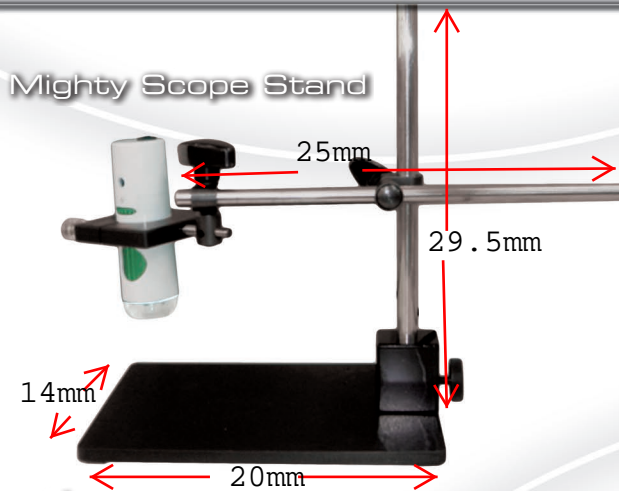
DIGITAL MIGHTY SCOPE 1.3M

- Amazing, easy to use, 6-LED hand-held digital microscope with a USB interface.
- High resolution magnification at your fingertips. Detailed examination of any area you choose.
- The LED's can be turned on or off, brightness can be adjusted using control wheel on body, and an adjustable magnification from 10X - 200X, all in one compact lens.
- *Microtouch* Shutter trigger allows for convenient image capture when in hand held mode or mounted on a stand.
- Just plug into a PC and your are set to go.
- Ideal for a wide variety of practical applications in the classroom, workplace and even the home.
- Can be used for science and engineering work, dermatology, detailed repair, assembly and quality control (i.e. electronics, mechanical, etc), hobbies & collecting (coin, stamp, watch, jewelry, etc.), law enforcement (counterfeit ID, crime lab, etc), entertainment and much more.
- Our Mighty Scope comes with software for easy capture of images or videos and a measurement tool is also included.

DIGITAL MIGHTY SCOPE FROM AVEN



SAMPLE IMAGES



Specifications

Image Sensor:	1/4" Color CMOS
Effective Pixels:	1280(H) x 1024(V)
Signal Output:	USB 2.0
Gain Control:	Auto
White Balance:	Auto
Frame Rate:	Up to 30 frames per second, 15 fps at 1.3M
Snap Shot Mode:	Hardware & Software controllable
Power Source:	5V DC through USB Port
OS:	Windows XP SP2 and Vista
Magnification:	10x to 50x, 200x
Working distance:	5x: 240mm 10x: 150mm 20x: 95mm 50x: 13mm
CE, FCC and Rohs Compliant	

Order #	Description
26700-200	Mighty Scope 6 LED Lights
26700-205	Mighty Scope UV 6 LED Lights
26700-210	Mighty Scope Stand



4595 Platt Road
Ann Arbor, MI 48108, USA
aveninc.com

ORDERING INFORMATION

To place orders please call, fax, or email

Toll Free | 800-624-8170

Fax | 734-973-0097

Email | sales@aveninc.com